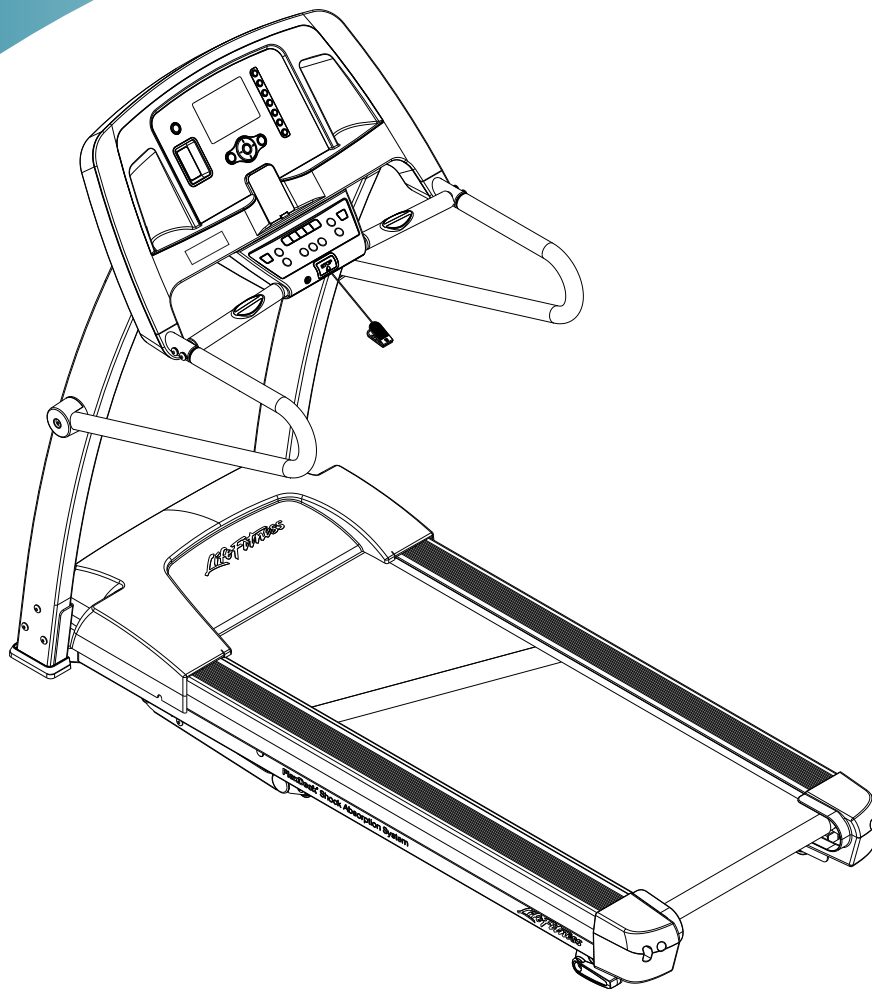


F1 Folding Treadmill

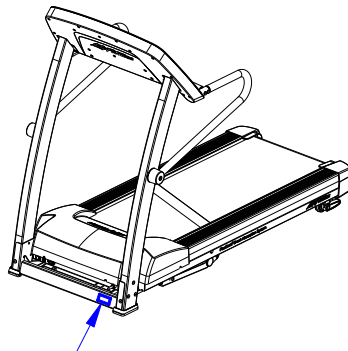
FTR-XXXX-01

CUSTOMER SUPPORT SERVICES
Parts List



Life Fitness
WHAT WE LIVE FOR

Hardware Kit, Touch-up Paint and Misc.....	3
Uprights and Handlebars.....	4
Belt, Deck and Motor Cover Assembly.....	5
Frame Assemblies.....	6
Deck Cushions, Half Release and Rear Wheels.....	7
Moving Wheels and Feet.....	8
Life Frame Assemblies.....	9
Drive/Lift Motor, and Motor Controller Assemblies.....	10
230 Volt Components.....	11
Console Covers and Activity Zone Assembly.....	12
Ergo Bar Assembly.....	13
Console Assembly.....	14
Console Hardware.....	15
Line Cords and Ground Wire.....	16
120 Volt Wiring Diagram.....	17
230 Volt Wiring Diagram.....	18



SERIAL NUMBER LABEL LOCATION

Hardware Kit:

8879701 SERVICE ASSY. HARDWARE KIT		
Part No.	Description	Quantity
8133701	SCREW, HXS PAN 8X60 - HEAM005876	6
8326101	SCREW, DOME- HEAM005933	6
8875701	M8 X 60M BHCS BZ HS P/N SC40806011	2
8134101	WASHER STAR - HEAM004037	14
8128201	SCREW, HXS PAN M8X20 - HEAM003381	4
8125001	WASHER, FLAT - HEAM003587	4

Touch-Up Paint:

8186301 - Arctic Silver Touch-Up Paint

Silicone Bottle:

8168601 - Service Silicone Bottle

FTR Owner's Manual:

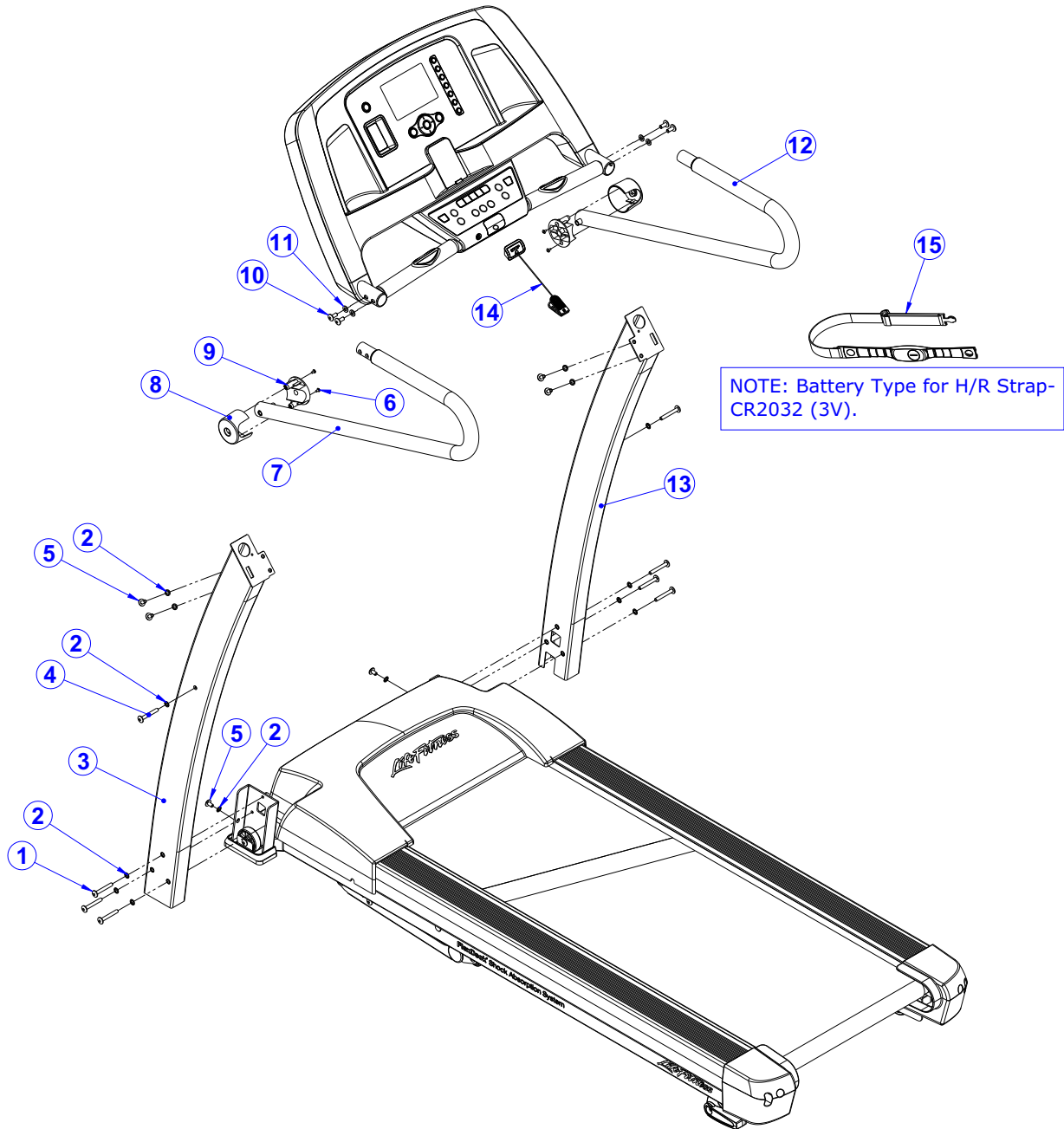
8860701 - Folding Treadmill Manual

iPod Spacing Pad for thin iPods (included in manual)

8880101 - Pad, iPod Spacer HS PN HEAM007795

F1 Folding Treadmill Uprights and Handlebars

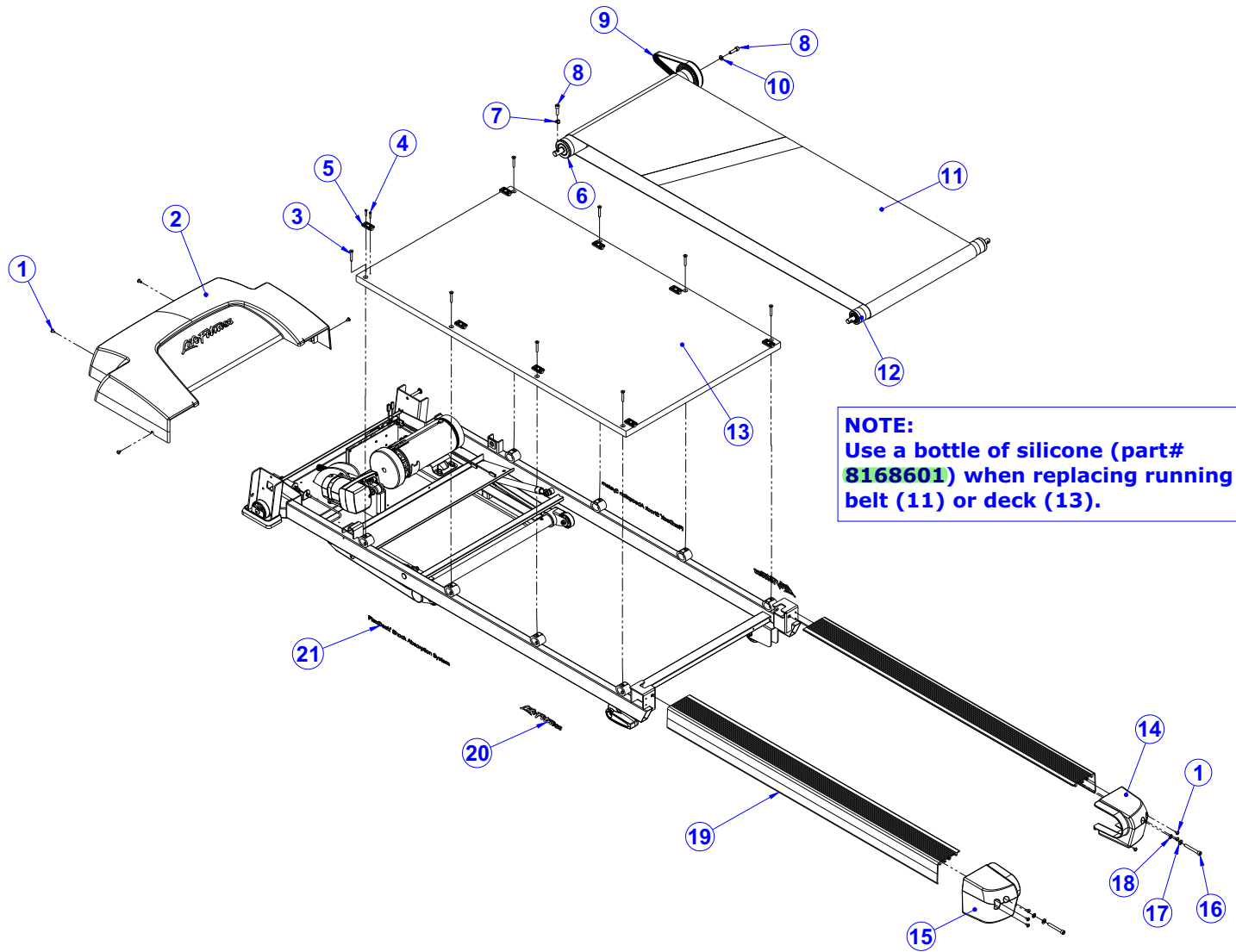
FTR-XXXX-01



ITEM NO.	QTY.	PART NO.	DESCRIPTION
1	6	8133701	SCREW, HXS PAN 8X60 - HEAM005876
2	14	8134101	WASHER STAR - HEAM004037
3	1	8875401	WLDMT, UPRIGHT LT PAINTED HS P/N 67212
4	2	8875701	M8 X 60M BHCS BZ HS P/N SC40806011
5	6	8326101	SCREW, DOME- HEAM005933
6	4	8126001	SCREW, PHL PAN M4X10 - HEAM003995
7	1	8874901	WLDMT, HANDLEBAR LT PAINTED HS P/N 67219
8	2	8875201	COVER HANDLEBAR JUNCTION OUTER HS P/N 67396
9	2	8875101	COVER HANDLEBAR JUNCTION INNER HS P/N 67395
10	4	8128201	SCREW, HXS PAN M8X20 - HEAM003381
11	4	8125001	WASHER, FLAT - HEAM003587
12	1	8875001	WLDMT, HANDLEBAR PAINTED RT HS P/N 67222
13	1	8875301	WLDMT, UPRIGHT RT PAINTED HS P/N 67215
14	1	8875601	ASSY STOP TETHER HS P/N 67238
15	1	8880301	H/R STRAP, TELEMETRY, SALUTRON

F1 Folding Treadmill Belt, Deck & Motor Cover Assembly

FTR-XXXX-01

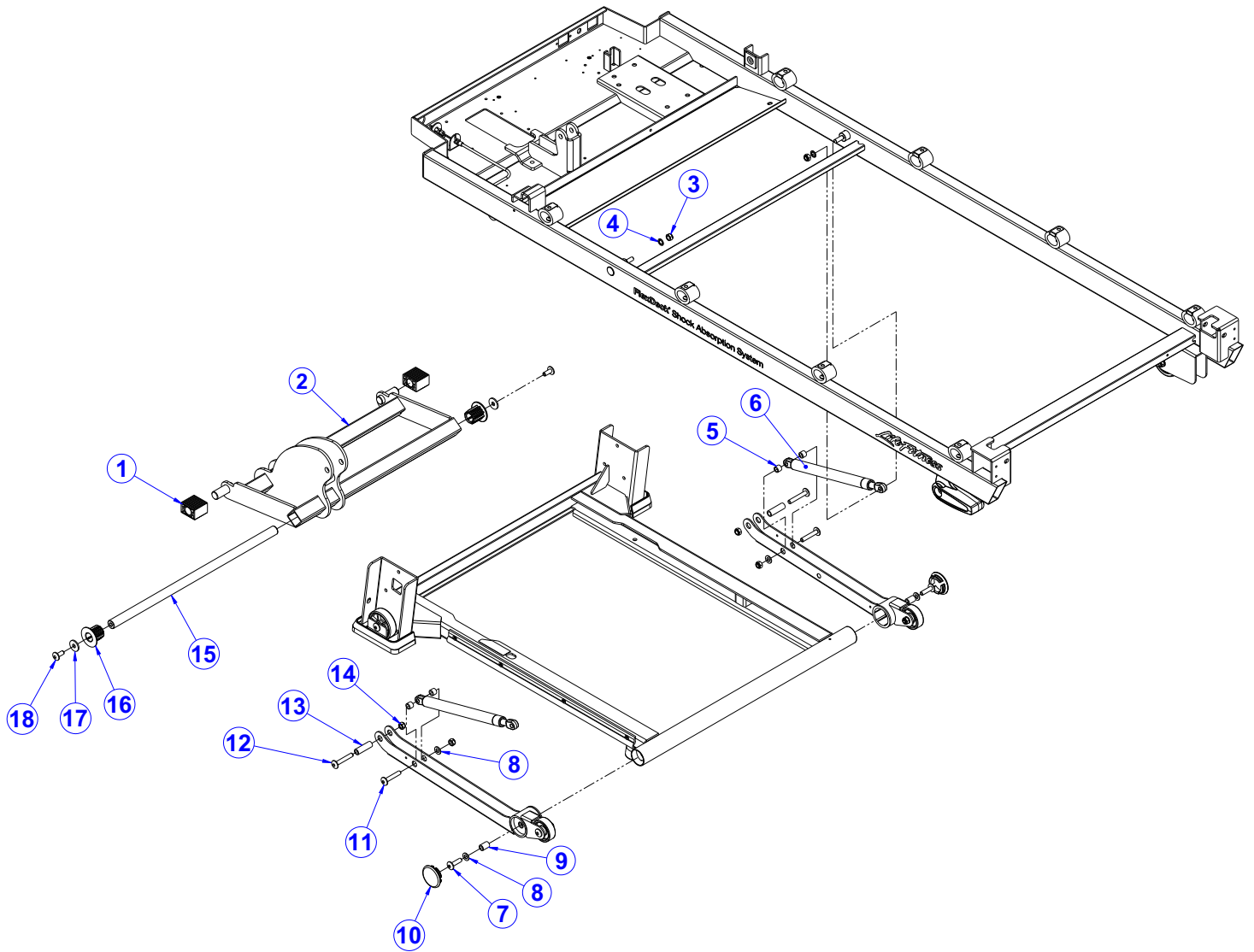


NOTE:
Use a bottle of silicone (part# **8168601**) when replacing running belt (11) or deck (13).

ITEM NO.	QTY.	PART NO.	DESCRIPTION
1	10	8877301	SCREW M5 X 10 THREAD CUTTING BZ HS P/N SD50501011
2	1	8878701	MOTOR COVER, PRINTED HS P/N 67244
3	8	8132701	SCREW, HXS COUNTERSUNK M6X25 - HEAM005944
4	16	8878201	SCREW M4 X 25 PHL FLAT BZ HS P/N SB20402511
5	8	8322801	BRKT, EXTRUSION, SIDE- HEAM006213
6	1	8879801	ASSY FRONT ROLLER HS P/N 67243
7	1	8132401	WASHER, CURVED - HEAM003608
8	2	8132301	SCREW, HXS SOC M8X30 - HEAM003363
9	1	8878101	BELT POLY-V 8P J 508MM HS P/N 67379
10	1	8125001	WASHER, FLAT - HEAM003587
11	1	8132101	BELT, RUNNING - HEAM003833
12	1	8132001	ROLLER, REAR - HEAS006859
13	1	8876701	DECK WALKING HS P/N 67390
14	1	8877001	CAP, END R HS P/N 67393
15	1	8877101	CAP, END L HS P/N 67394
16	2	8131501	SCREW, HXS SOC M8X65 - HEAM003368
17	2	8125001	WASHER, FLAT - HEAM003587
18	2	8124901	WASHER, STAR - HEAM003606
19	2	8876901	EXTRUSION SIDE RAIL HS P/N 67392
20	2	8879101	DECAL LIFEFITNESS HS P/N 67362
21	2	8879201	DECAL FLEXDECK HS P/N 67363

F1 Folding Treadmill Frame Assemblies

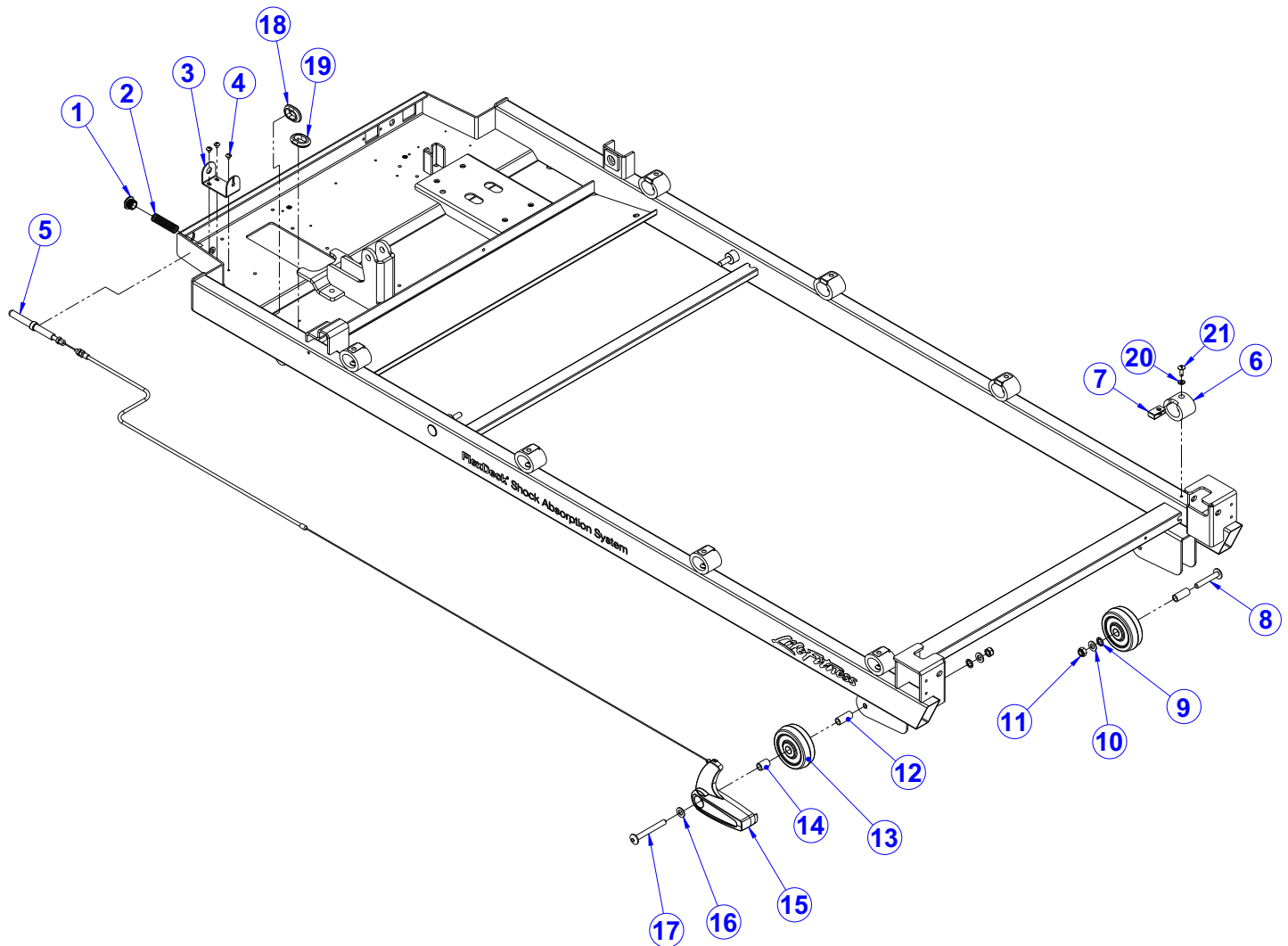
FTR-XXXX-01



ITEM NO.	QTY.	PART NO.	DESCRIPTION
1	2	8128501	SLIDER, TRACK - HEAM004940
2	1	8129001	INCLINE FRAME - HEAS006061
3	2	8125101	NUT, HEX, NYLON M8X7.8 - HEAM003341
4	2	8124901	WASHER, STAR - HEAM003606
5	4	8133101	SLEEVE, GAS SHOCK - HEAM004220
6	2	8879401	GAS SPRING HS P/N 67235
7	2	8135901	SCREW, HXS PAN 8X30 - HEAM003383
8	4	8125001	WASHER, FLAT - HEAM003587
9	2	8127801	SLEEVE, FIXING, FRAME, BASE - HEAM004244
10	2	8127601	CAP, FRAME, H - HEAM004246
11	2	8124001	SCREW, HXS PAN M8X45 - HEAM004131
12	2	8125301	SCREW, HXS PAN M8X50 - HEAM003387
13	2	8128101	SLEEVE, FRAME, H - HEAM004212
14	10	8125101	NUT, HEX, NYLON M8X7.8 - HEAM003341
15	1	8128401	SHAFT, FIXING - HEAM004198
16	2	8128801	BUSHING, TUBE, CONNECTION - HEAM001406
17	2	8128301	WASHER, SEAT ROTATION - HEAM004818
18	2	8128201	SCREW, HXS PAN M8X20 - HEAM003381

F1 Folding Treadmill Deck Cushions, Half Release & Rear Wheels

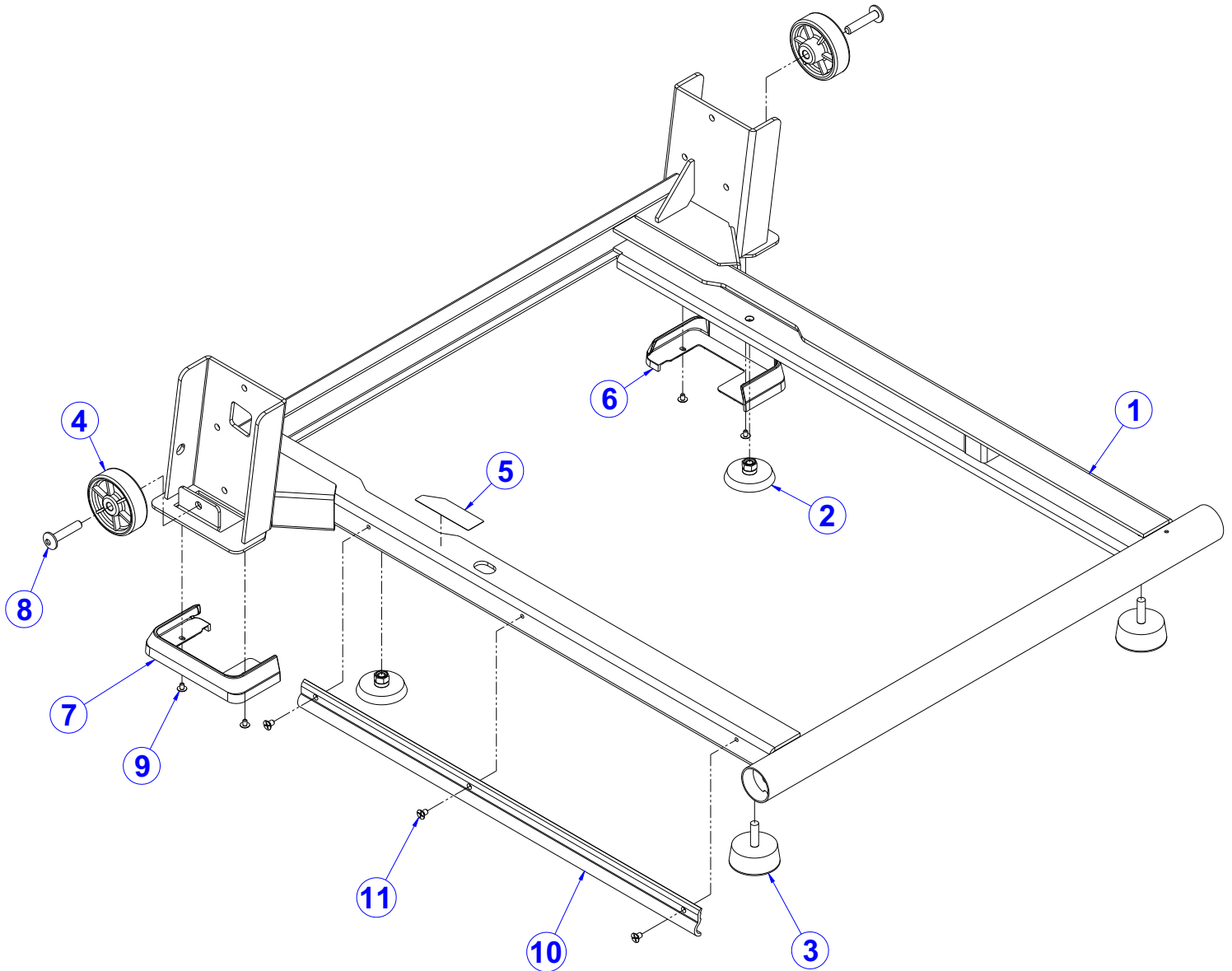
FTR-XXXX-01



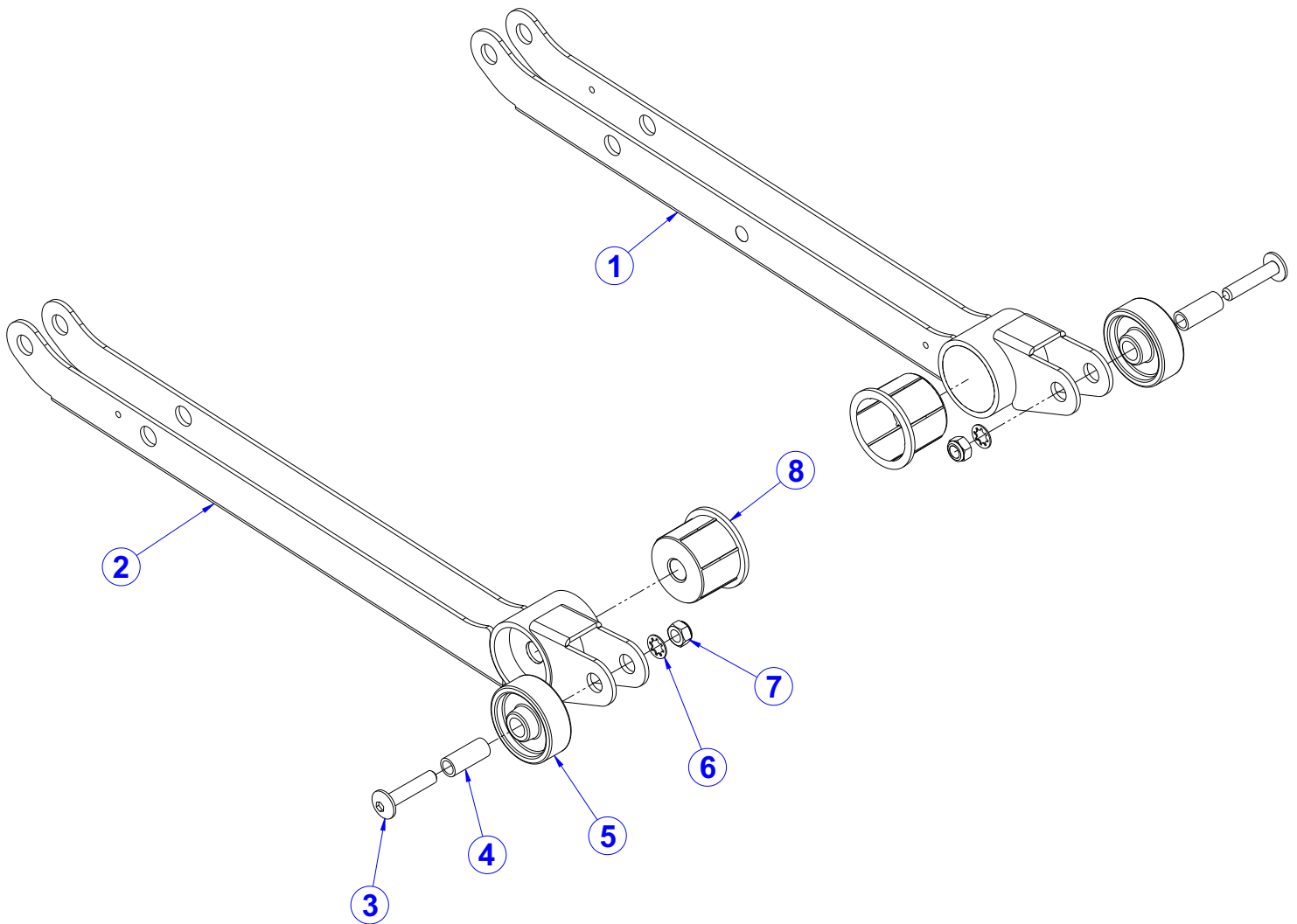
ITEM NO.	QTY.	PART NO.	DESCRIPTION
1	1	8130801	CAP, PIN, LOCK - HEAM005770
2	1	8126401	SPRING, PIN, LOCK - HEAM004193
3	1	8126201	BRACKET, PIN, LOCK - HEAM004187
4	3	8343801	SCREW, CSL M4-HEAM006574
5	1	8878501	ASSY, CABLE PIN LOCK HS P/N 67217
6	8	0K40-01026-0001	SPRING, TECSPAC BLK
7	8	8130701	NUT, U, DECK - HEAM005824
8	1	8125301	SCREW, HXS PAN M8X50 - HEAM003387
9	2	8124901	WASHER, STAR - HEAM003606
10	2	8125001	WASHER, FLAT - HEAM003587
11	2	8125101	NUT, HEX, NYLON M8X7.8 - HEAM003341
12	2	8877201	SHAFT, WHEEL HS P/N 67386
13	2	8878301	ASSY, WHEEL REAR HS P/N 65450
14	1	8127801	SLEEVE, FIXING, FRAME, BASE - HEAM004244
15	1	8878401	HANDLE, RELEASE LOCK BAR HS P/N 67310
16	2	8125001	WASHER, FLAT - HEAM003587
17	1	8125801	SCREW, HXS PAN M8X70 - HEAM003389
18	1	8126701	BUSHING, SNAP - HEAM005376
19	1	8881301	GROMMET
20	2	8130601	WASHER, FLAT - HEAM004893
21	2	8344001	SCREW; CSL M5, T3 - HEAM006172

F1 Folding Treadmill Moving Wheels & Feet

FTR-XXXX-01



ITEM NO.	QTY.	PART NO.	DESCRIPTION
1	1	8875801	WLDMT, BASE FRAME PAINTED HS P/N 67225
2	2	8124501	FOOT, FRONT, FRAME - HEAM004264
3	2	8124701	FOOT - HEAM004614
4	2	8876401	WHEEL FRONT MOVING HS P/N 64769
5	1	8876301	GUARD PAINT BASE FRAME HS P/N 61970
6	2	8124401	COVER, FIX, WHEEL, FRONT, R - HEAM005789
7	2	8124301	COVER, FIX, WHEEL, FRONT, L - HEAM005788
8	2	8124001	SCREW, HXS PAN M8X45 - HEAM004131
9	4	8343801	SCREW, CSL M4-HEAM006574
10	1	8882101	JACKET CABLE FRAME BASE HEAM007765
11	3	8124201	SCREW, CSL COUNTERSUNK 5X8 - HEAM005298



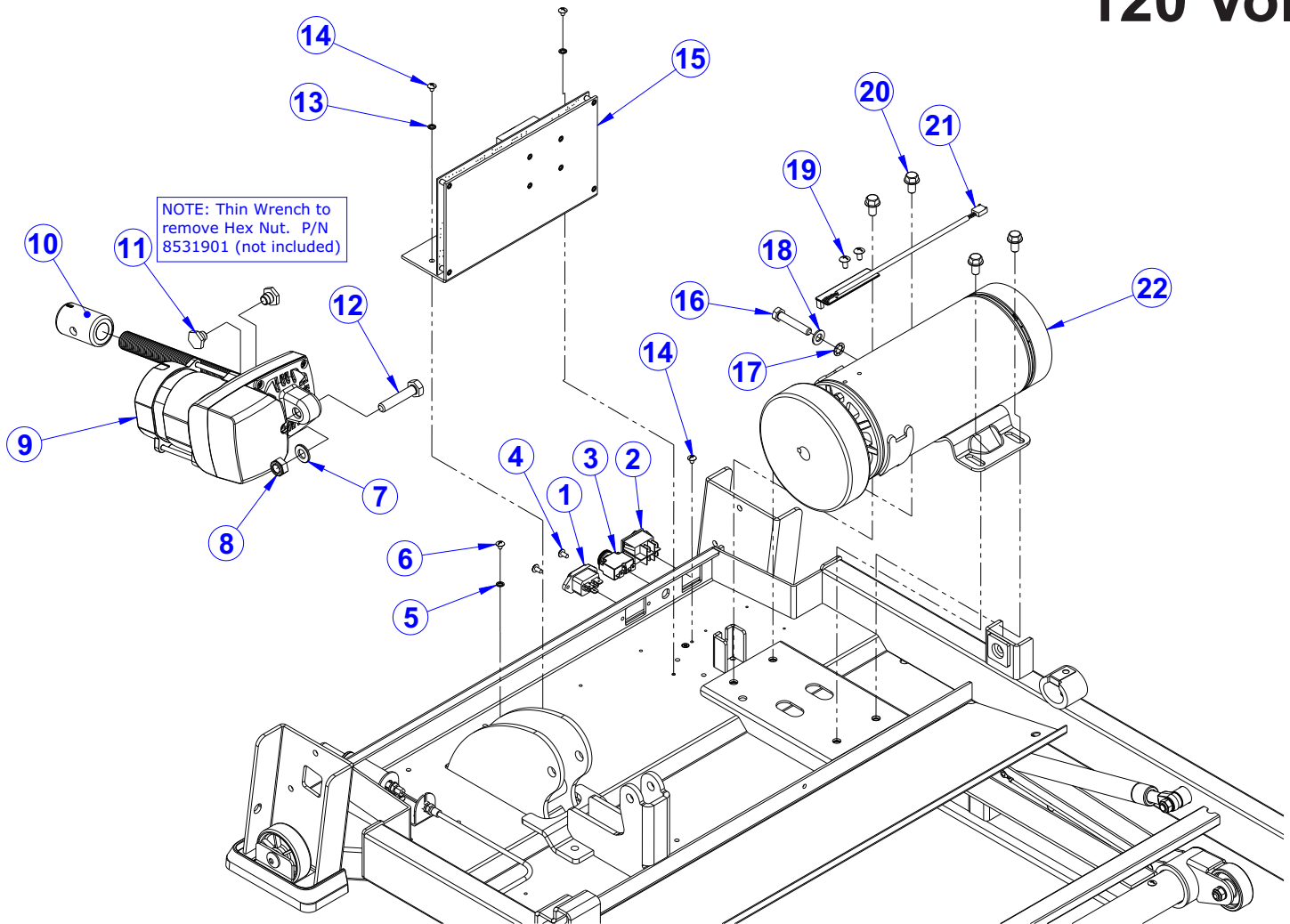
ITEM NO.	QTY.	PART NO.	DESCRIPTION
1	1	8127501	FRAME, H, R - HEAS006206
2	1	8127101	FRAME, H, L - HEAS006205
3	2	8123701	SCREW, HEX 8X45 - HEAM005907
4	2	8127401	SLEEVE, SHAFT - HEAM004129
5	2	8127301	WHEEL, INCLINE - HEAM005931
6	2	8124901	WASHER, STAR - HEAM003606
7	2	8125101	NUT, HEX, NYLON M8X7.8 - HEAM003341
8	2	8127201	BUSHING, FIX, FRAME, BASE - HEAM004942

F1 Folding Treadmill

Drive/Lift Motor & Motor Controller Assemblies

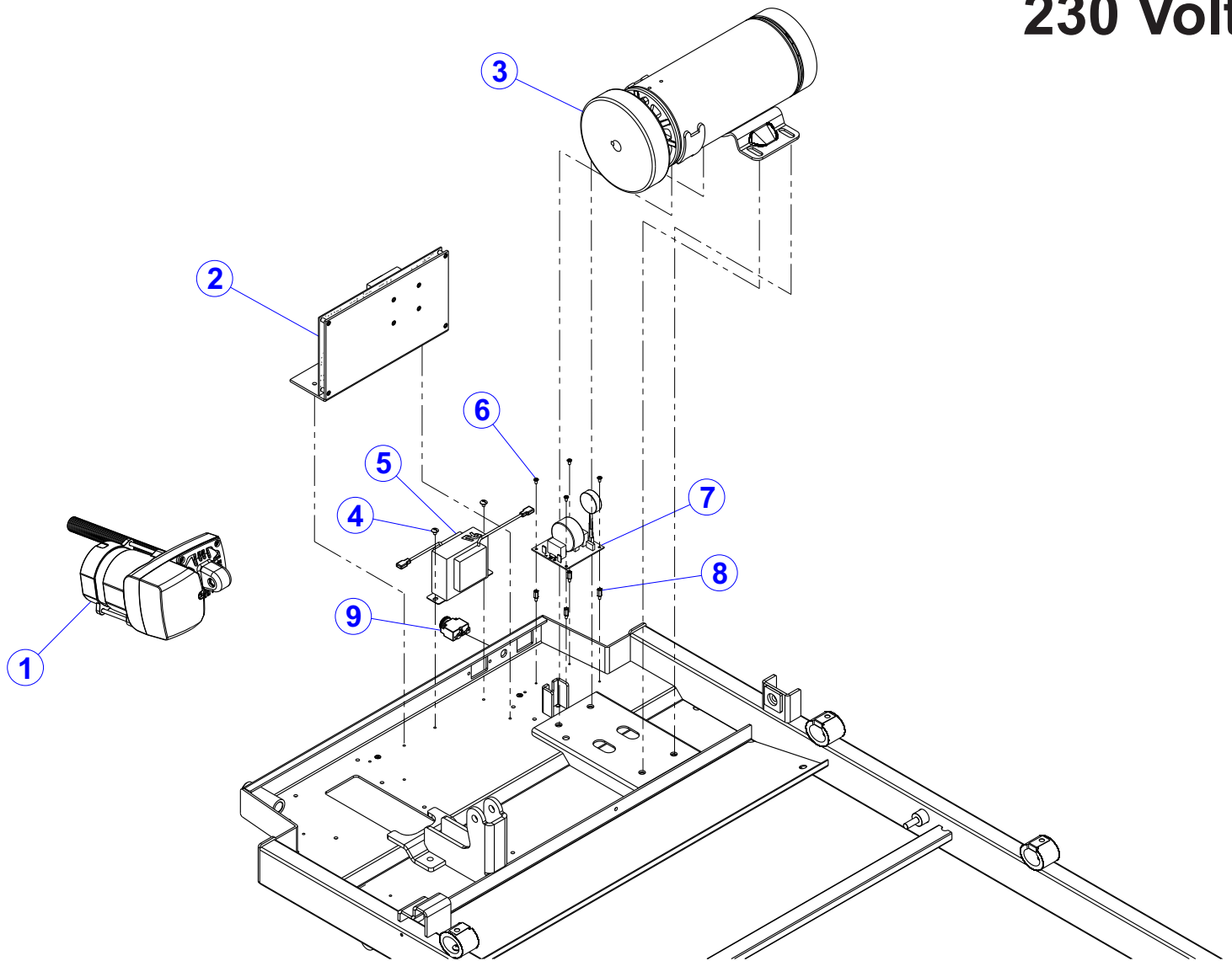
FTR-XXXX-01

120 Volt



ITEM NO.	QTY.	PART NO.	DESCRIPTION
1	1	8129801	INLET, AC - HEAM003150
2	1	8130001	SWITCH, POWER - HEAM006157
3	1	8881901	SWITCH, POWER NON-LIGHTED
4	2	8126001	SCREW, PHL PAN M4X10 - HEAM003995
5	1	8130101	WASHER, STAR - HEAM003295
6	1	8343801	SCREW, CSL M4-HEAM006574
7	1	8129301	WASHER, FLAT - HEAM003590
8	1	8129201	NUT, HEX, NYLON M10X9.5 - HEAM004242
9	1	8168201	MOTOR, INCLINE, 120V - HEAS005238
10	1	8227901	NUT, MOTOR, INCLINE - HEAM002130
11	2	8129101	SCREW, HEX, SPECIAL - HEAM001447
12	1	8129401	BOLT, HEX M10X50 - HEAM004240
13	2	8130101	WASHER, STAR - HEAM003295
14	3	8343801	SCREW, CSL M4-HEAM006574
15	1	8879001	ASSY, MCB 120V HS P/N 67358
16	1	8324301	SCREW; HEX, T3 - 8324201
17	1	8124901	WASHER, STAR - HEAM003606
18	1	8125001	WASHER, FLAT - HEAM003587
19	2	8877301	SCREW M5 X 10 THREAD CUTTING BZ HS P/N SD50501011
20	4	8126301	SCREW, HXW 8X14 - HEAM005897
21	1	8877901	ASSY SPEED SENSOR HS P/N 63289
22	1	8877701	ASSY, MOTOR 120V HS P/N 67214

230 Volt

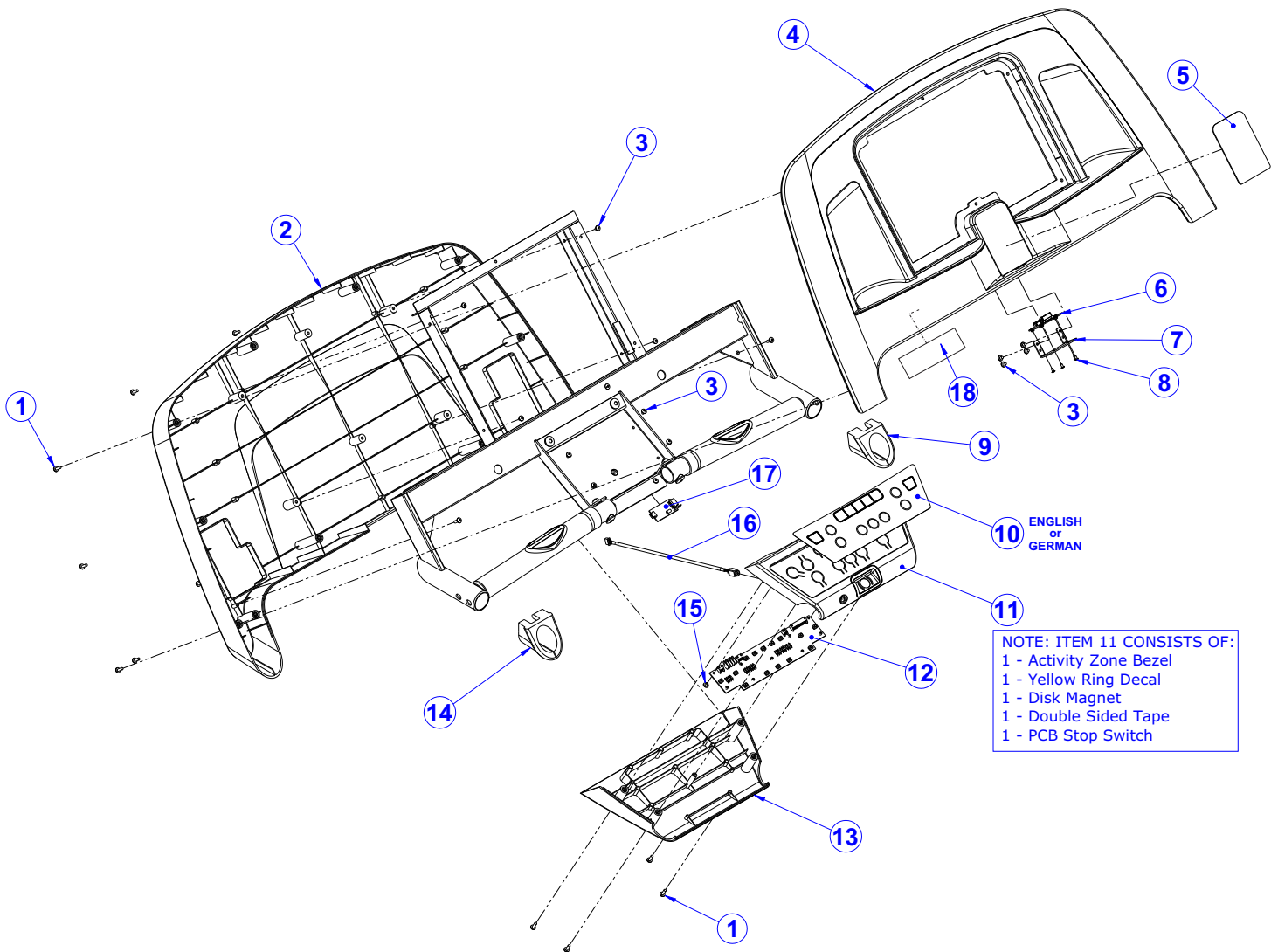


The below components are used only on the 230 Volt F1.

ITEM NO.	QTY.	PART NO.	DESCRIPTION
1	1	8128701	MOTOR, INCLINE, 230V 56662, HEAS004679
2	1	8880501	ASSY MCB 230V
3	1	8881801	ASSY MOTOR 2.5HP 230V HS P/N HEAM007724
4	2	8343801	SCREW, CSL M4-HEAM006574
5	1	8137101	56705 CHOKE HEAM004158
6	4	8136701	SCREW, PHL PAN M3X6 - HEAM004462
7	1	9513301	LINE FILTER W/INRUSH LIMITER
8	4	8137001	SLEEVE, SCREW HEAM003853
9	1	8129901	BREAKER, CIRCUIT, 230V EC002, HEAM003147

F1 Folding Treadmill Console Covers & Activity Zone Assembly

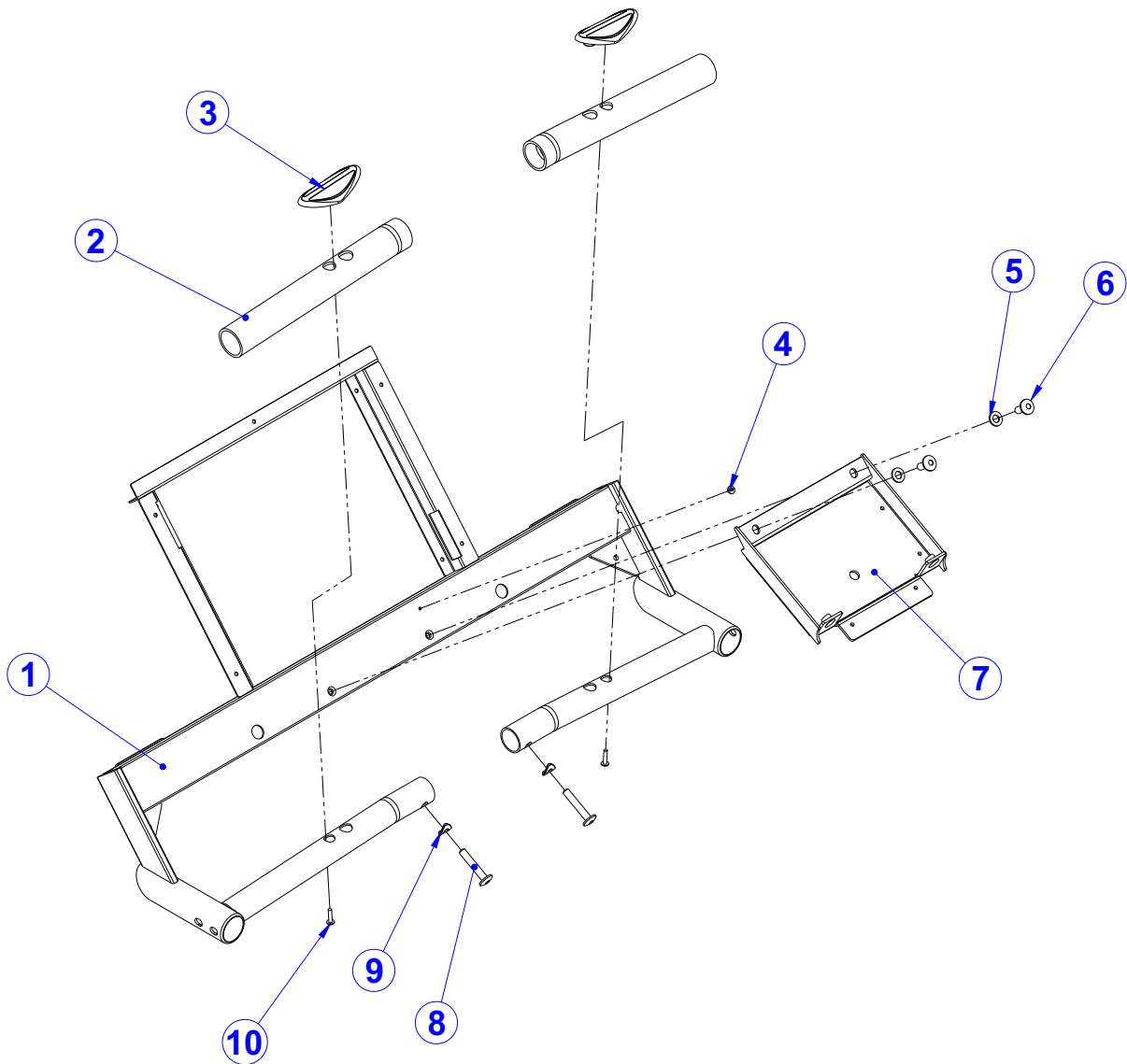
FTR-XXXX-01



ITEM NO.	QTY.	PART NO.	DESCRIPTION
1	16	8135401	SCREW, PHL PAN 4X15 - HEAM003405
2	1	8874101	SHROUD BRIDGE BACK HS P/N 67371
3	14	8126001	SCREW, PHL PAN M4X10 - HEAM003995
4	1	8874201	SHROUD BRIDGE FRONT HS P/N 67370
5	1	8874301	PAD IPOD HS P/N 67381
6	1	8873001	PCB IPOD DOCK
7	1	8874401	BRKT, SUPPORT, IPOD HS P/N 67380
8	4	8136701	SCREW, PHL PAN M3X6 - HEAM004462
9	1	8874001	GROMMET HANDLEBAR RT HS P/N 67377
10	1	8872801	OVERLAY ACT ZONE DOM HS P/N 67384 - ENGLISH
	1	8880701	OVERLAY ACT ZONE GER HS P/N HEAO007315 - GERMAN
11	1	8872601	SERVICE ASSY ACT ZONE BEZEL HS P/N 67232
12	1	8872301	PCB ACT ZONE HS P/N 67321
13	1	8873801	ACTIVITY ZONE BACK HS P/N 67373
14	1	8873901	GROMMET HANDLBAR LT HS P/N 67376
15	1	8343801	SCREW, CSL M4-HEAM006574
16	1	8872501	ASSY, HEADPHONE JACK HS P/N 67378
17	1	8872201	PCB SALUTRON HR
18	1	0006898-0001	LABEL: WARNING, TREADMILL, AUSTRALIA, BLACK

F1 Folding Treadmill Ergo Bar Assembly

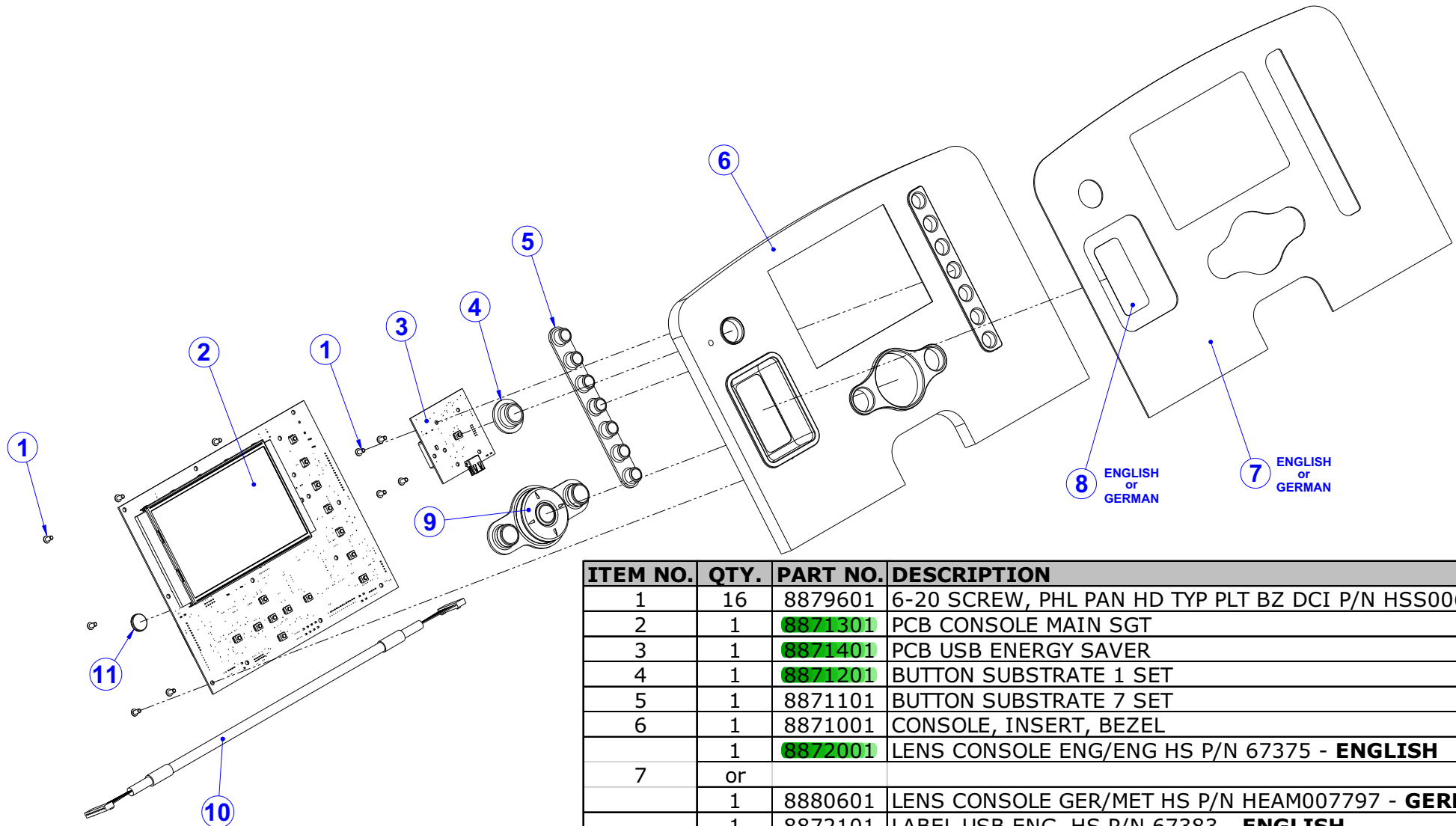
FTR-XXXX-01



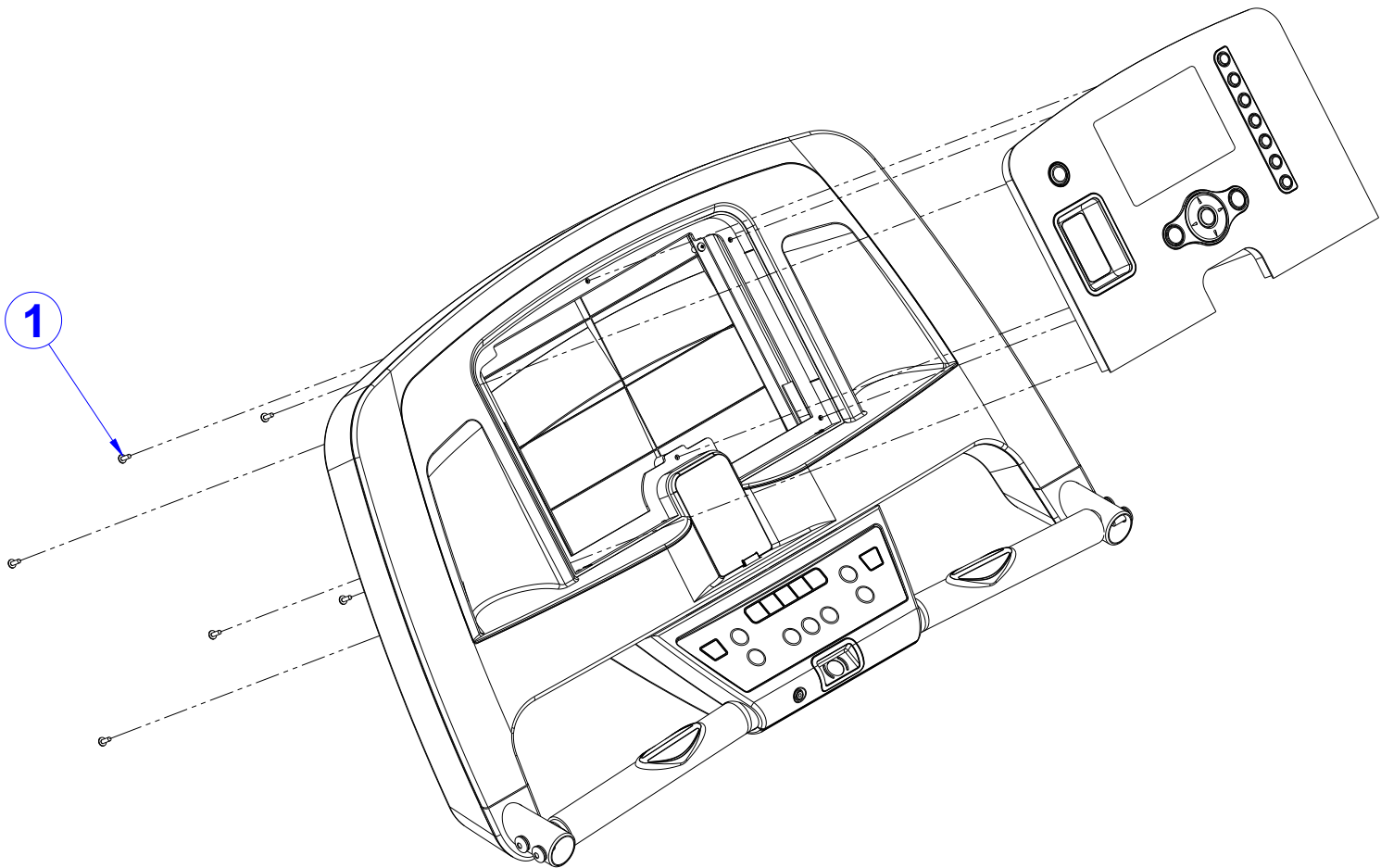
ITEM NO.	QTY.	PART NO.	DESCRIPTION
1	1	8873101	WLDMT, BRIDGE PAINTED HS P/N 67229
2	2	8873201	GRIP ERGO BAR HS P/N 67382
3	2	8135201	CONTACT SENSOR - HEAM004903
4	1	8343801	SCREW, CSL M4-HEAM006574
5	2	8873701	WASHER 9MM ID X 1.6MM THK HS P/N W10801611
6	2	8128201	SCREW, HXS PAN M8X20 - HEAM003381
7	1	8873401	BRKT ERGO BAR SUPPORT PAINTED HS P/N 67240
8	2	8125001	WASHER, FLAT - HEAM003587
9	2	8132401	WASHER, CURVED - HEAM003608
10	2	8131201	SCREW, PHL PAN M4X20 - HEAM003406

F1 Folding Treadmill Console Assembly

FTR-XXXX-01



ITEM NO.	QTY.	PART NO.	DESCRIPTION
1	16	8879601	6-20 SCREW, PHL PAN HD TYP PLT BZ DCI P/N HSS0061Z
2	1	8871301	PCB CONSOLE MAIN SGT
3	1	8871401	PCB USB ENERGY SAVER
4	1	8871201	BUTTON SUBSTRATE 1 SET
5	1	8871101	BUTTON SUBSTRATE 7 SET
6	1	8871001	CONSOLE, INSERT, BEZEL
	1	8872001	LENS CONSOLE ENG/ENG HS P/N 67375 - ENGLISH
7	or		
	1	8880601	LENS CONSOLE GER/MET HS P/N HEAM007797 - GERMAN
	1	8872101	LABEL USB ENG. HS P/N 67383 - ENGLISH
8	or		
	1	8880801	LABEL USB GER HS P/N HEAO007275 - GERMAN
9	1	8871701	ASSY BUTTON CENTER ARRAY
10	1	8871801	CABLE, USB
11	1	NLA	BATTERY CR1632 (3V) HS P/N 67403 NLA - See Knowledge Base



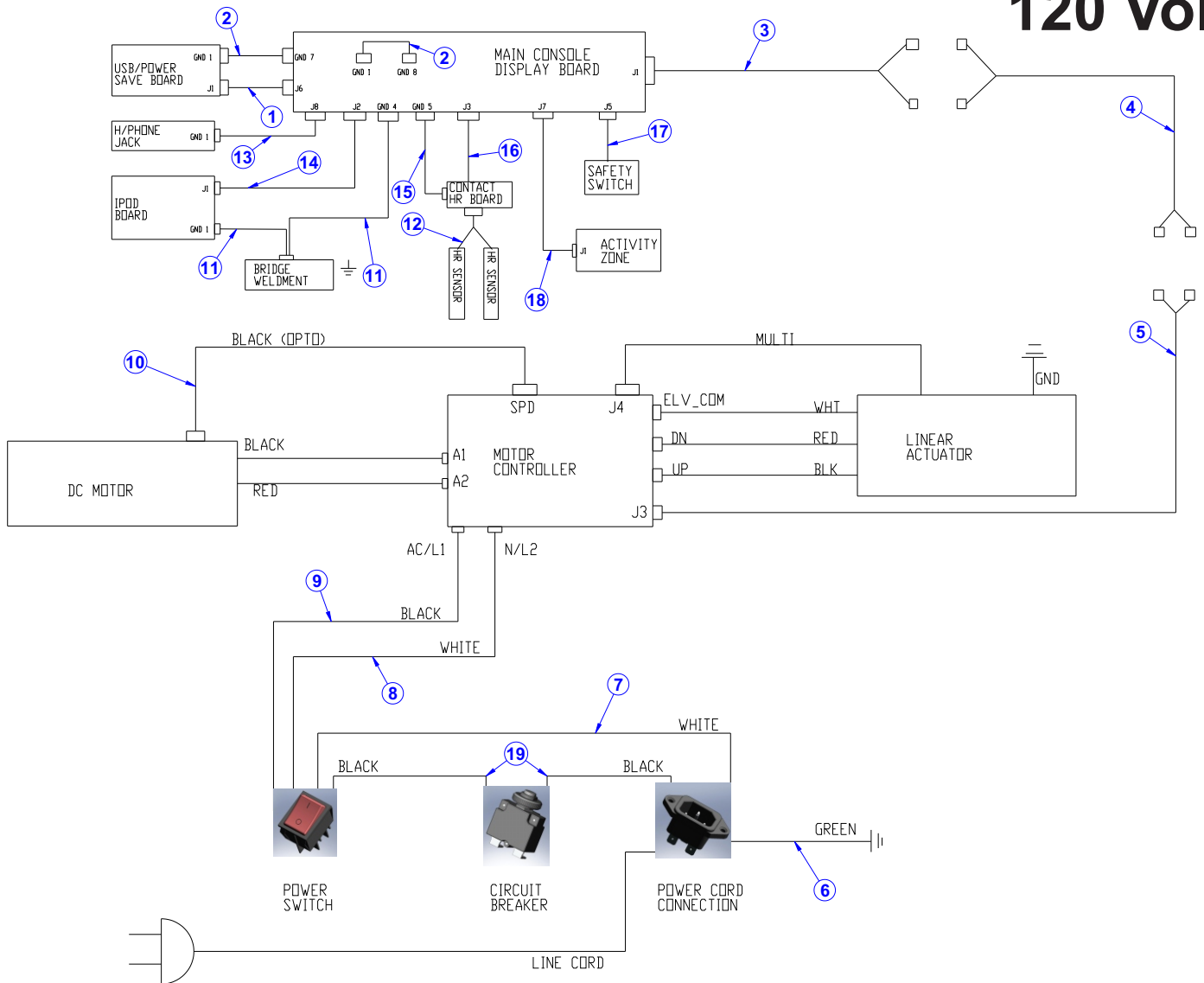
ITEM NO.	QTY.	PART NO.	DESCRIPTION
1	6	8135401	SCREW, PHL PAN 4X15 - HEAM003405

Part Number	Description	Qty.
8174701	LINE CORD,U.S.	1
8174801	LINE CORD; AUS	1
8174901	LINE CORD; CONT	1
8175001	LINE CORD; U.K	1
8870101	LINE CORD; BRAZIL	1
8307301	GROUND WIRE, BRAIDED	3

F1 Folding Treadmill 120 Volt Wiring Diagram

FTR-XXXX-01

120 Volt

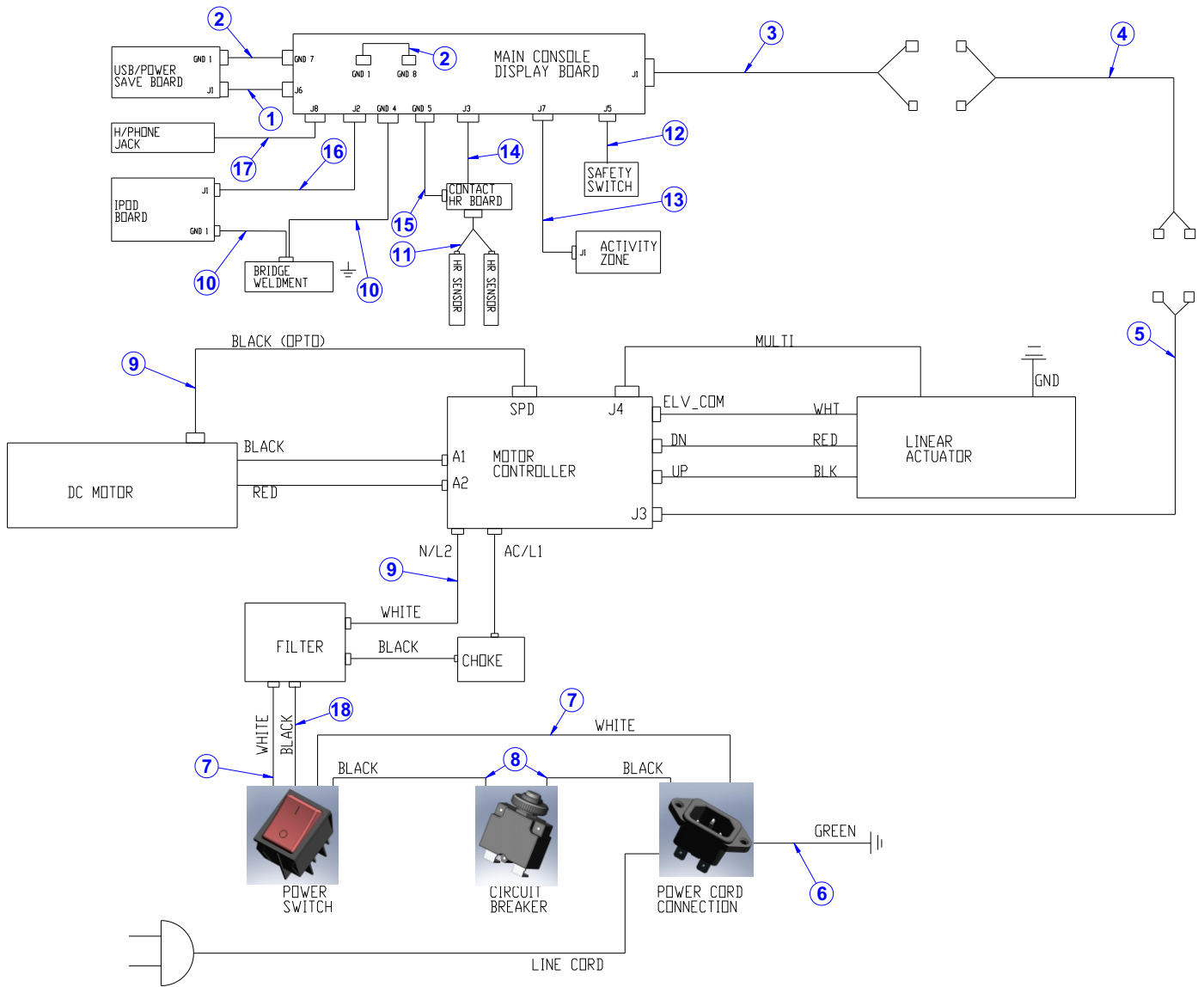


ITEM NO.	QTY.	PART NO.	DESCRIPTION
1	1	8871801	CABLE, USB
2	2	8881001	CABLE GROUND, USB PCB TO CONSOLE PCB
3	1	8874701	CABLE CONSOLE TO UPRIGHT HS P/N 67366
4	1	8875501	CABLE CONSOLE TO BASE HS P/N 67368
5	1	8876501	CABLE UPRIGHT TO MCB HS P/N 67369
6	1	8336601	WIRE, CONNECT-HEAM003831
7	1	8336701	WIRE, CONNECT-HEAM004274
8	1	8878901	CABLE SWITCH TO MCB BLK HS P/N WI221410
9	1	8878801	CABLE SWITCH TO MCB WHT HS P/N WI222320
10	1	8877901	ASSY SPEED SENSOR HS P/N 63289
11	2	8874501	CABLE GROUND HS P/N WI233300
12	1	8873501	CABLE CONTACT H/R GRIPS HS P/N 67367
13	1	8872501	ASSY, HEADPHONE JACK HS P/N 67378
14	1	8874601	CABLE IPOD TO CONSOLE HS P/N 67364
15	1	8881201	CABLE GROUND, H/R PCB TO CONSOLE PCB
16	1	8880901	CABLE H/R PCB TO CONSOLE PCB
17	1	8872601	SERVICE ASSY ACT ZONE BEZEL HS P/N 67232
18	1	8874801	CABLE ACTIVITY ZONE TO CONSOLE HS P/N 67365
19	2	8336501	WIRE, CONNECT-HEAM004106

F1 Folding Treadmill 230 Volt Wiring Diagram

FTR-XXXX-01

230 Volt



ITEM NO.	QTY.	PART NO.	DESCRIPTION
1	1	8871801	CABLE, USB
2	2	8881001	CABLE GROUND USB TO CONSOLE
3	1	8874701	CABLE CONSOLE TO UPRIGHT HS P/N 67366
4	1	8875501	CABLE CONSOLE TO BASE HS P/N 67368
5	1	8876501	CABLE UPRIGHT TO MCB HS P/N 67369
6	1	8336601	WIRE, CONNECT-HEAM003831
7	3	8336701	WIRE, CONNECT-HEAM004274
8	2	8336501	WIRE, CONNECT-HEAM004106
9	1	8878801	CABLE SWITCH TO MCB WHT HS P/N WI222320
10	2	8874501	CABLE GROUND HS P/N WI233300
11	1	8873501	CABLE CONTACT H/R GRIPS HS P/N 67367
12	1	8872601	SERVICE ASSY ACT ZONE BEZEL HS P/N 67232
13	1	8880901	CABLE ACTIVITY ZONE TO CONSOLE HS P/N 67365
14	1	8880901	CABLE H/R PCB TO CONSOLE PCB
15	1	8881201	CABLE GROUND H/R TO CONSOLE
16	1	8874601	CABLE IPOD TO CONSOLE HS P/N 67364
17	1	8872501	ASSY, HEADPHONE JACK HS P/N 67378
18	1	8882001	WIRE SWITCH TO FILTER HEAW1221100